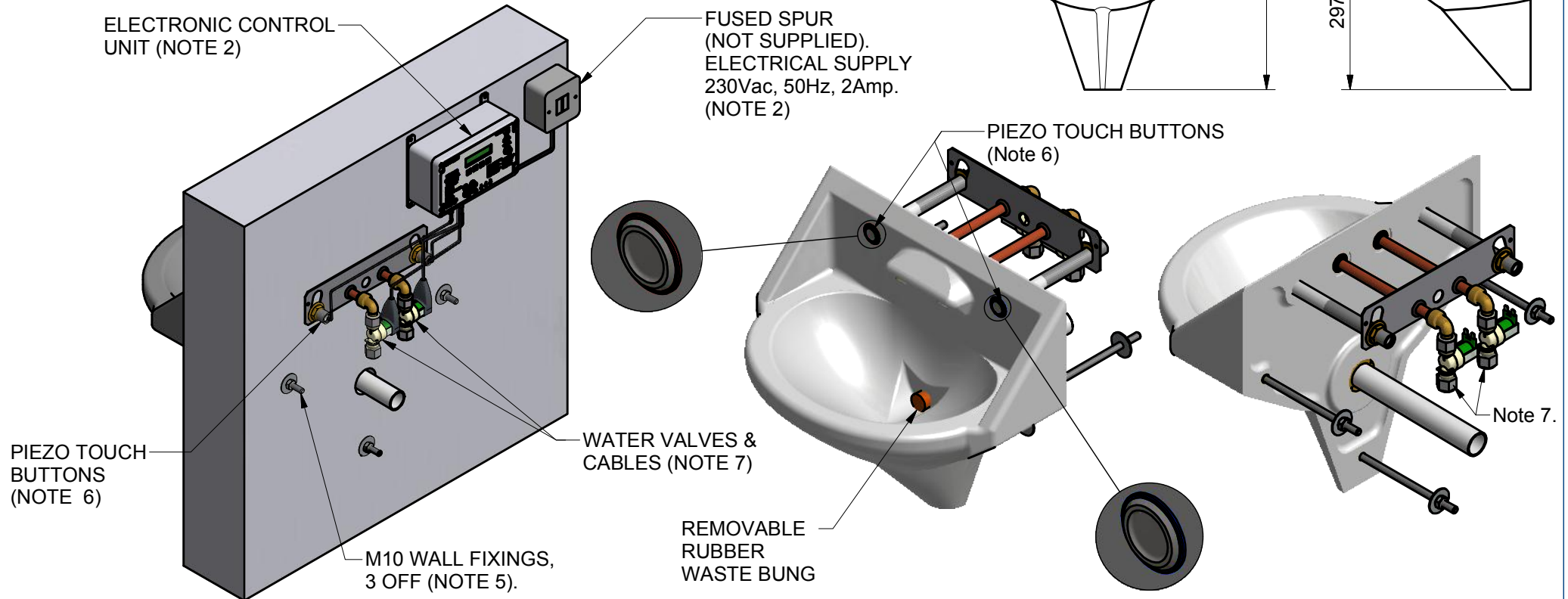
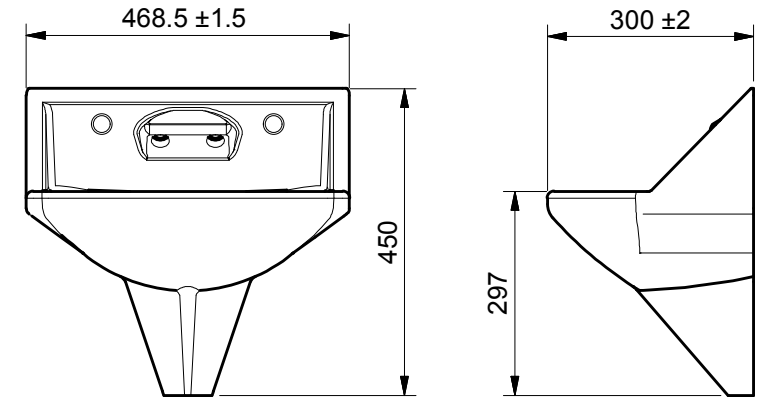


INSTALLATION, PLUMBING AND ELECTRICAL SERVICES

1. For through wall basin hole positions and recommended hole diameters, refer to drawing: INS_ALS_180 HOLES. The basin must be sealed to the wall using an anti pick hard set mastic such as Arbokol 1025 or Sikadur 33.
2. The electronic control unit is sold separately with a choice on model options, A fused spur connection point is required as shown, positioned local to the control unit. The control unit (supplied with 1M mains lead) can be positioned as preferred but should be mounted above the plumbing connections.
3. Hot & cold water supplies of 15mm copper pipe, fitted with isolating service taps are required for connection to the water valves. Flexible braided hoses to fit between isolating taps & water valve, can be obtained from Wallgate.
4. The 32mm (1¼") waste pipe supplied is suitable for walls up to 150mm thick & should be connected to a deep seal waste trap (NOT SUPPLIED). The waste pipe is fitted to the basin with a 1° fall.
5. Wall fixings (M10 threaded bar) suitable for a wall thickness of 160mm are supplied including nuts & washers.
6. Piezo touch buttons (2 off) are supplied with each basin (Cable length 4M, wall thickness of 100 -165mm).
7. Water valves with cables are ordered separately (standard cable length 4M).

REVISION HISTORY				
REV	DATE	DESCRIPTION	BY	CHKD
6	11/04/2016	Basin front corners update.	DB	DB



© 2014 Copyright THIS DRAWING IS THE PROPERTY OF WALLGATE LIMITED AND IS ISSUED ON THE STRICT UNDERSTANDING THAT THE INFORMATION CONTAINED WILL NOT BE REPRODUCED, COPIED OR USED WITHOUT PRIOR AGREEMENT OF WALLGATE LTD.

Wallgate

TITLE: ALS_180 ANTI LIGATURE BASIN WITH TAP HEAD & PIEZO TOUCH BUTTON CONTROLS.
Drg No: INS_ALS_180 PB
 Model/Client/Project:

MATERIAL:
FINISH:

Limits: (unless stated)
 ± 0.25mm (sheetmetal)
 ± 0.10mm (machined)
 ± 2.00mm (pattern)
 ± 5.00mm (moulded)

All dimensions in mm,
 All angles 90° (unless stated)
Scale: NTS
A4 3rd